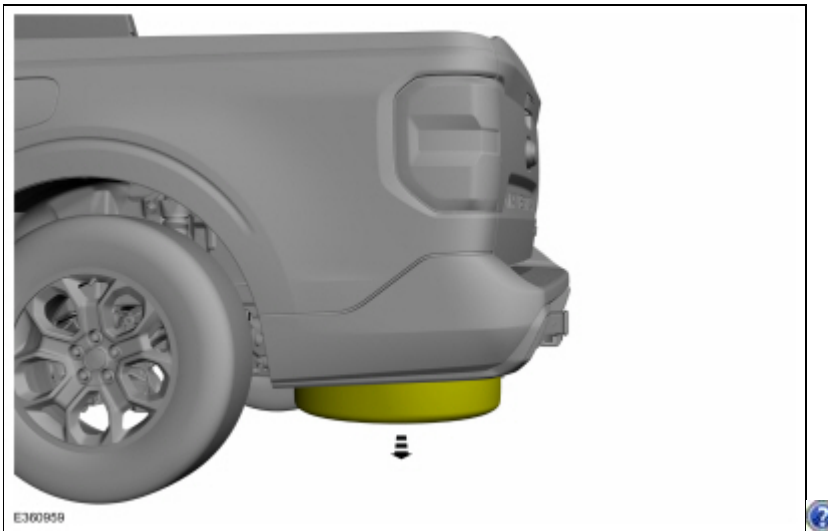


Tailgate

Removal

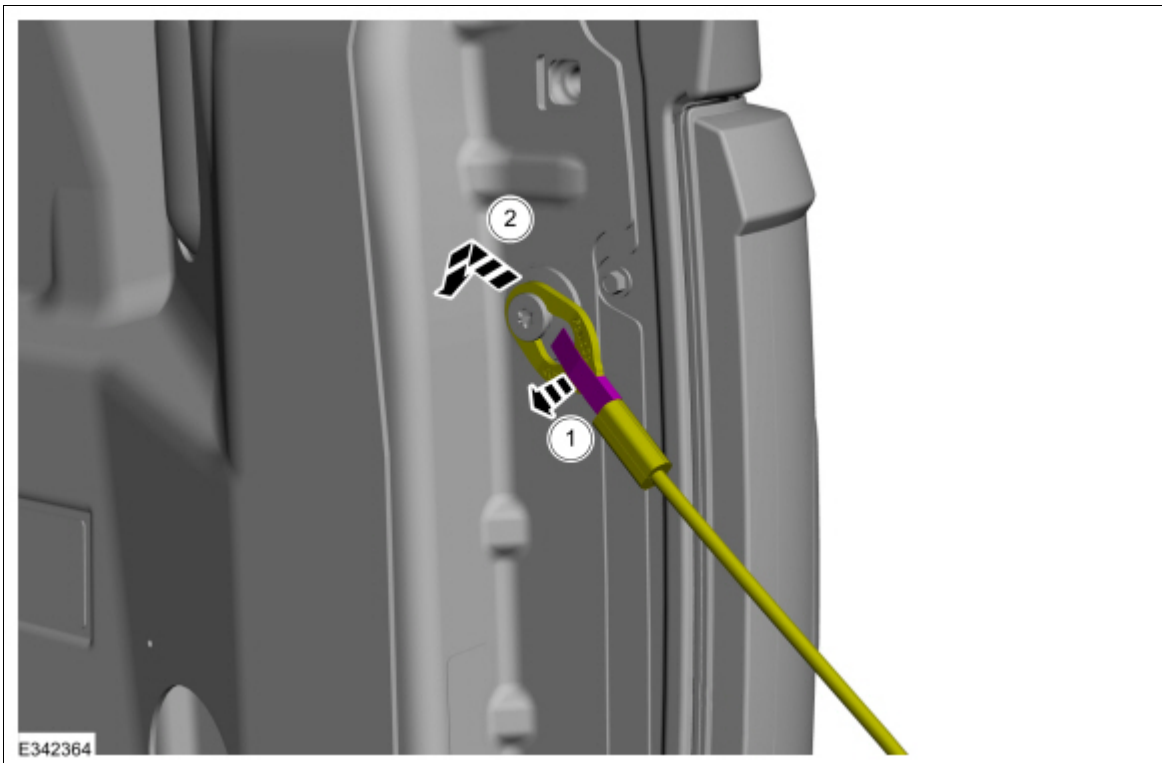
1. Lower the spare wheel.



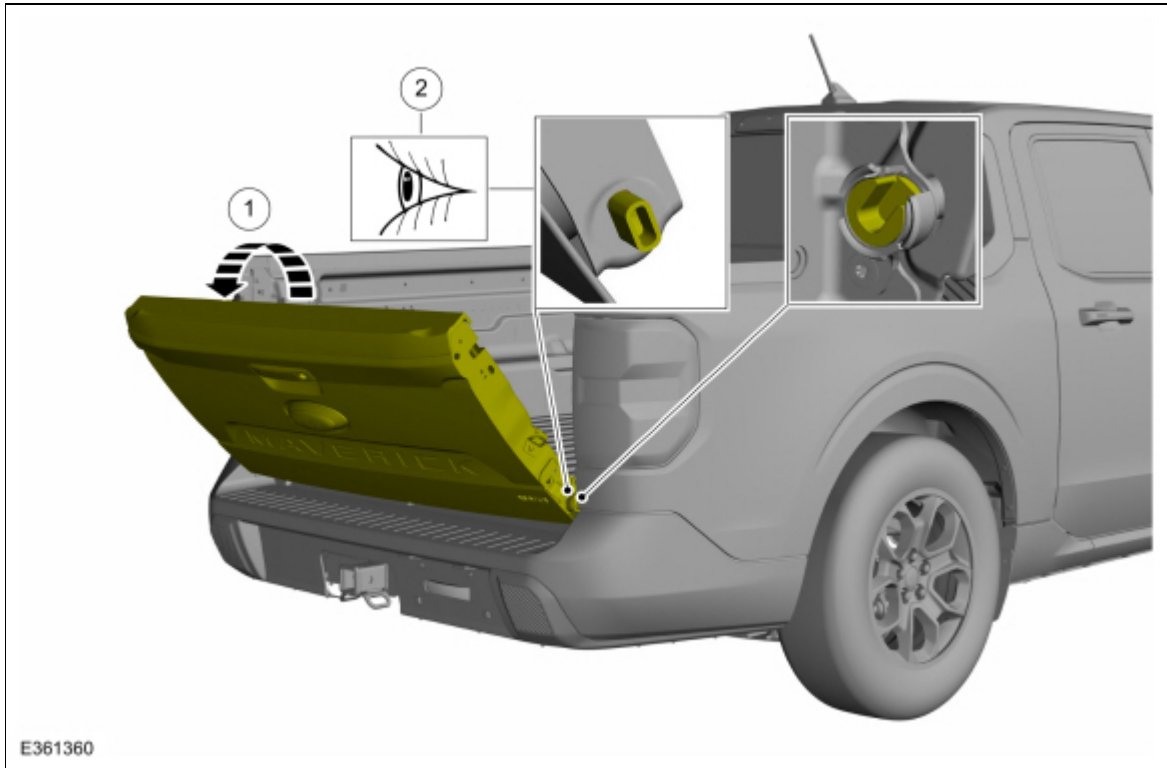
2.
 1. Disconnect the electrical connectors from the main harness.
 2. Slide the harness through the box crossmember.



3. Partially open and support the tailgate.
 1. On both sides. Release the tailgate support cable safety clip.
 2. On both sides. Disconnect the tailgate support cable from the anchor post.



4.
 1. Move the tailgate to approximately 45 degrees from vertical.
 2. Align the RH pivot to align with the opening in the hinge.



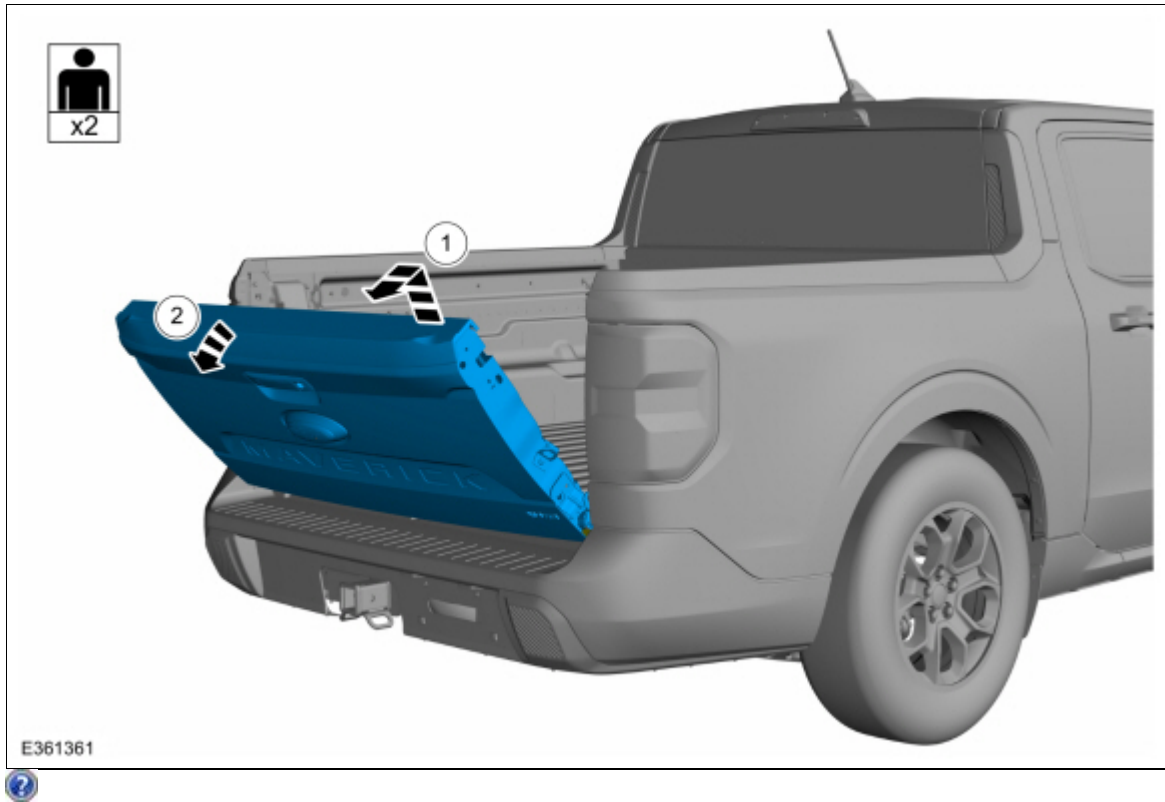
5. Remove the screw and tailgate hinge lock.



6. **NOTE:** *This step requires the aid of another technician.*

Remove the tailgate.

1. Lift the **RH** side of the tailgate up and out.
2. Rotate the tailgate approximately 10 degree from close and remove it from the vehicle.

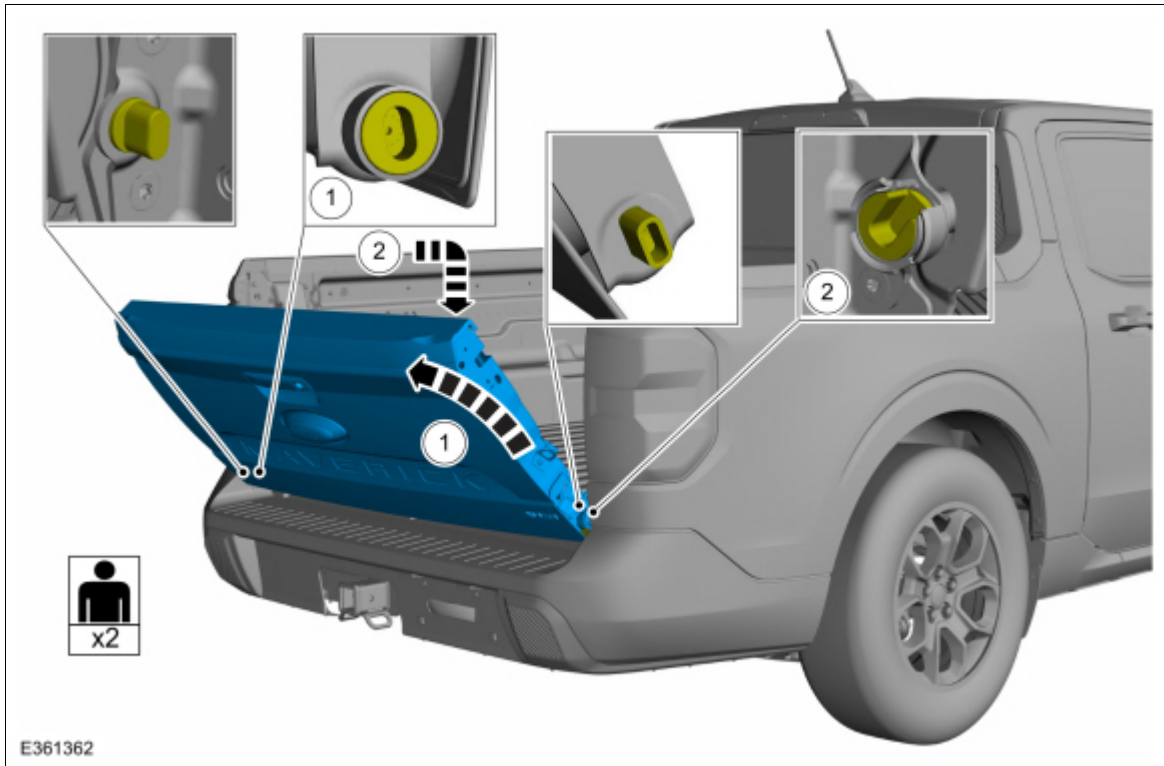


Installation

1. **NOTE:** *This step requires the aid of another technician.*

Install the tailgate.

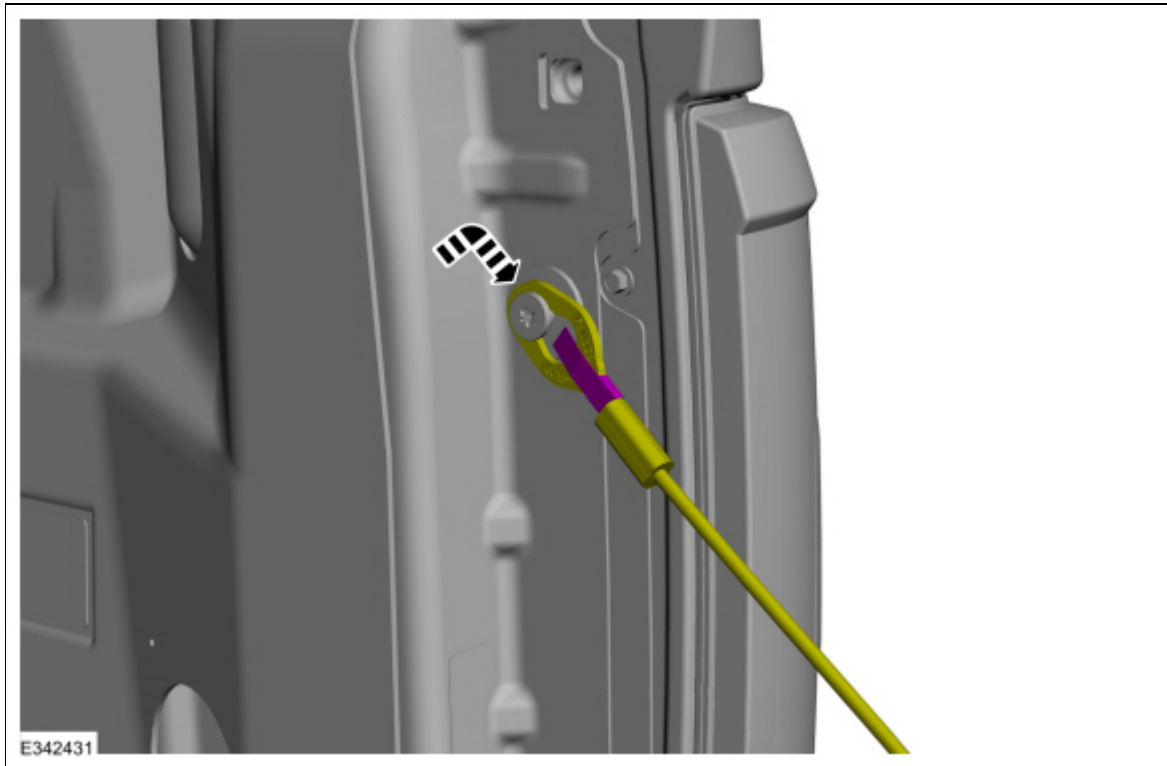
1. Position the tailgate so the LH tailgate pivot is close to the LH hinge and the tailgate is approximately 10 degrees from vertical. Keep the RH tailgate pivot close to the RH hinge, then slide the tailgate left to engage the LH pivot on the LH hinge.
2. Position the tailgate so that it is approximately 41 degrees from vertical. Push the RH pivot onto the hinge.



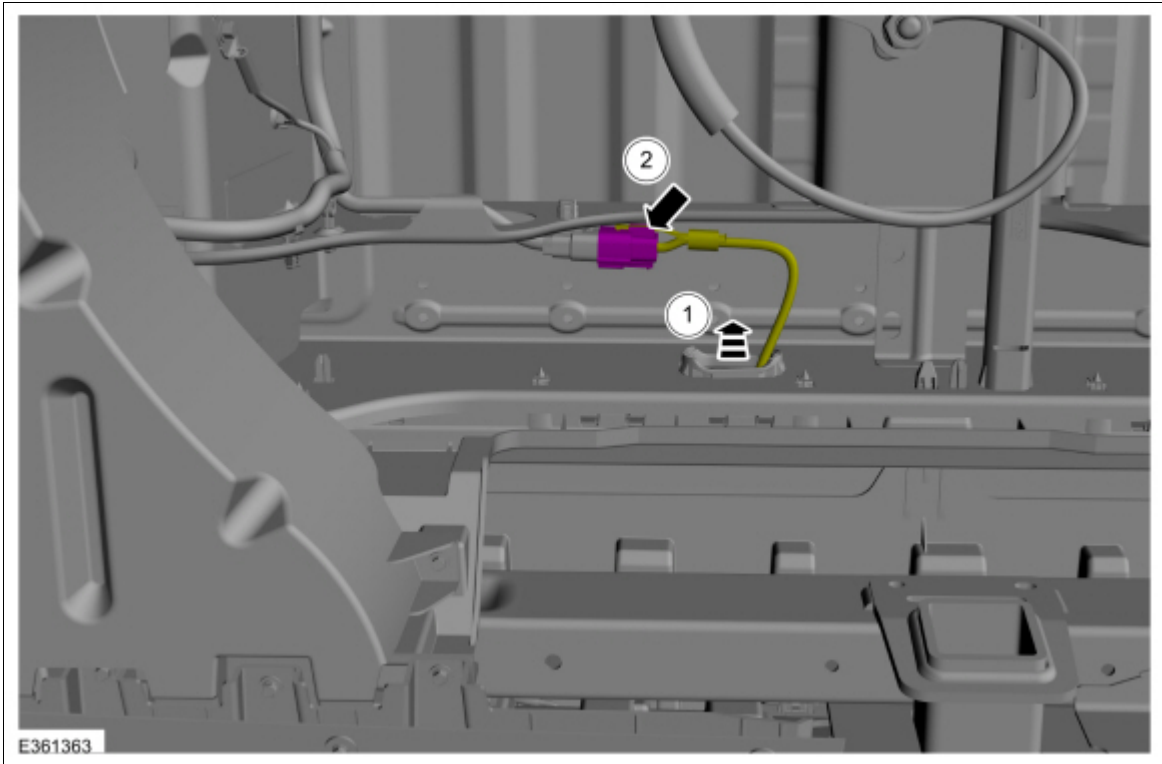
2. Install the screw and tailgate hinge lock.
Torque : 106 lb.in (12 Nm)



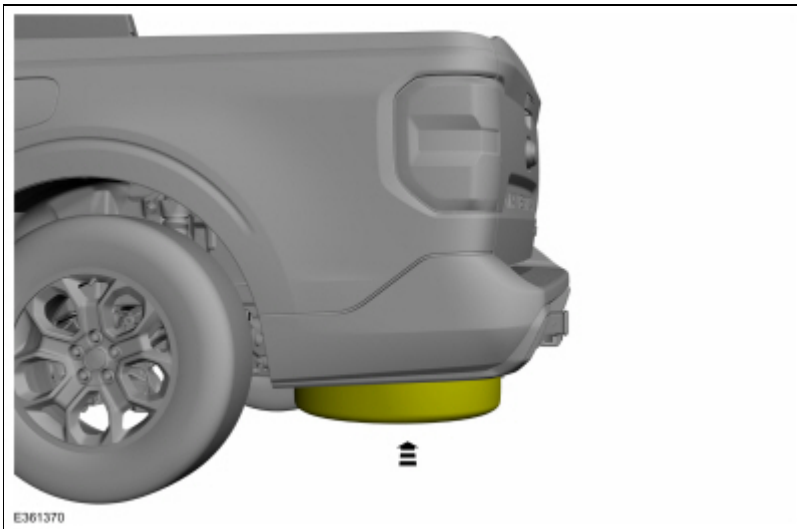
3. On both sides.
Connect the tailgate support cable to the anchor post.



4.
 1. Slide the harness through the box crossmember.
 2. Connect the electrical connectors to the main harness.



5. Raise the spare wheel and position it on vehicle.



6. If equipped, calibrate the rear view camera.
Refer to: [Parking Aid](#) (413-13A Parking Aid - Vehicles With: Rear Parking Aid, Diagnosis and Testing).