

[Report a Problem](#)

501-19 Bumpers
Removal and Installation

2025 Maverick
Procedure revision date: 10/10/2024

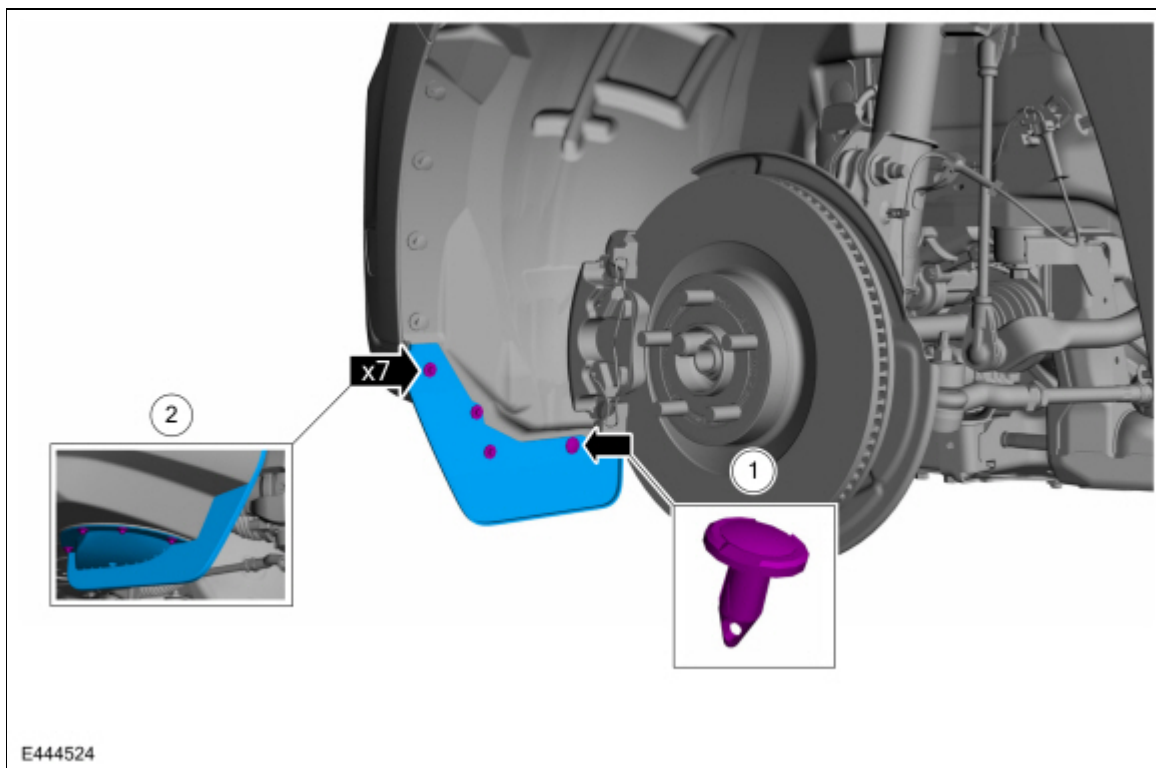
Front Bumper Cover

Removal

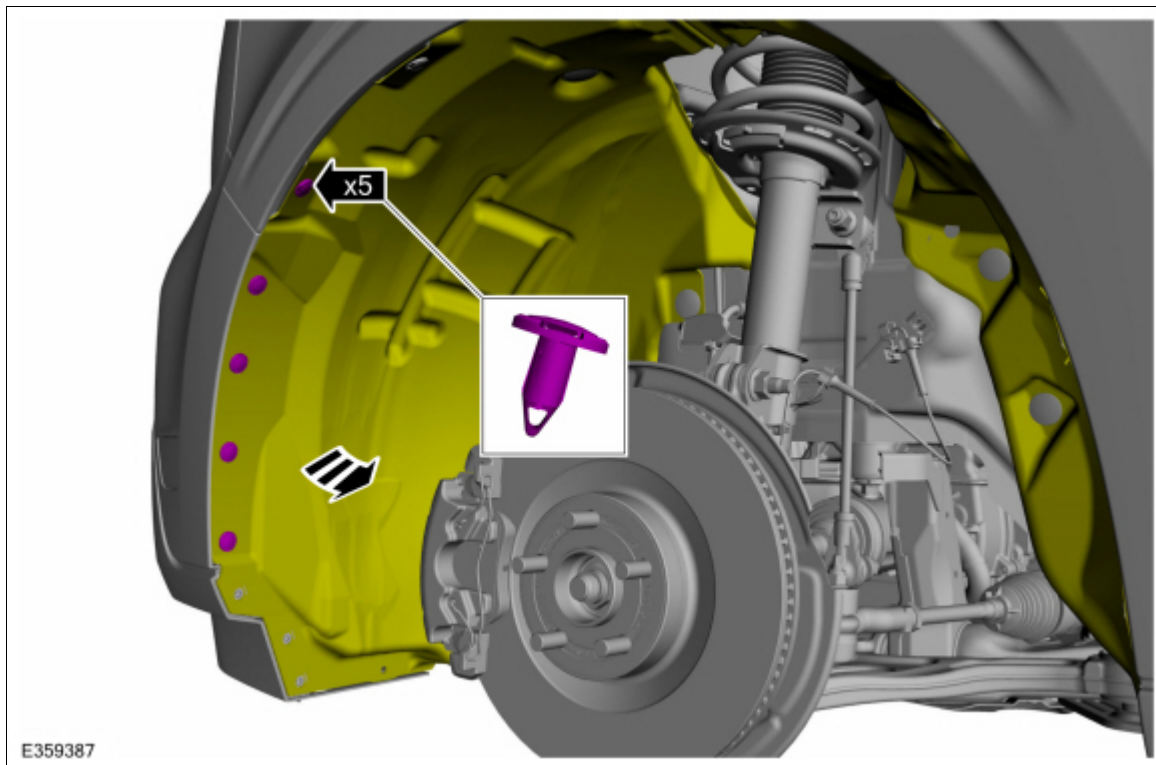
All vehicles

NOTE: Removal steps in this procedure may contain installation details.

1. With the vehicle in NEUTRAL, position it on a hoist.
Refer to: [Jacking and Lifting](#) (100-02 Jacking and Lifting, Description and Operation).
2. If equipped, on both sides.
 1. Remove the push pin.
 2. Remove the bolts and the stone deflector.
Torque: 17 lb.in (1.9 Nm)

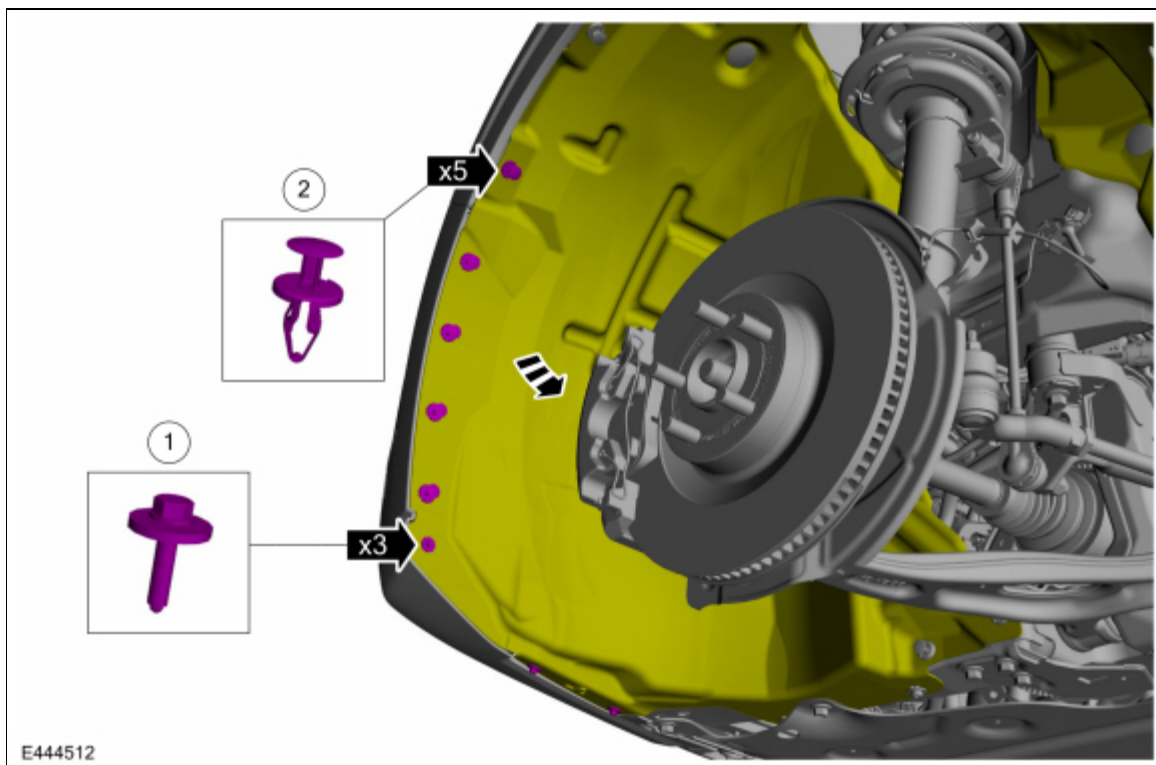


3. On both sides.
Remove the push pins and position the fender liner aside.



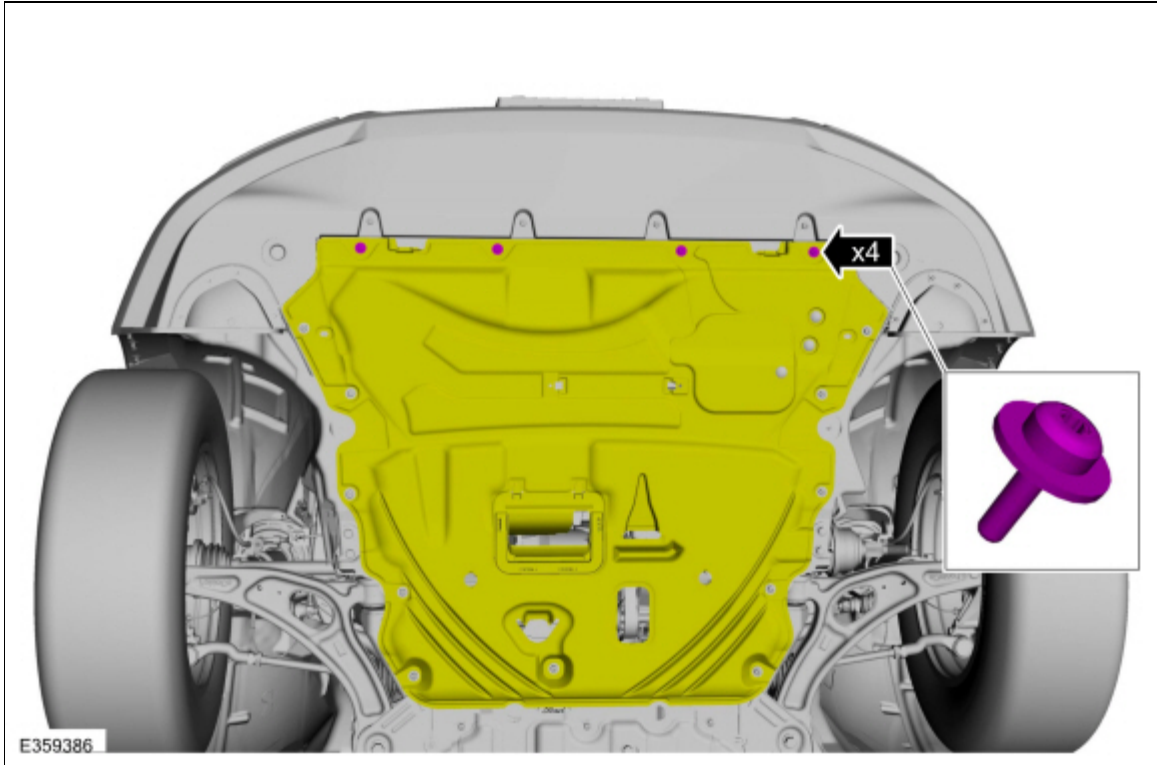
TREMOR VERSION

4. On both sides.
 1. Remove the bolts.
Torque: 17 lb.in (1.9 Nm)
 2. Remove the push pins and position the fender liner aside.

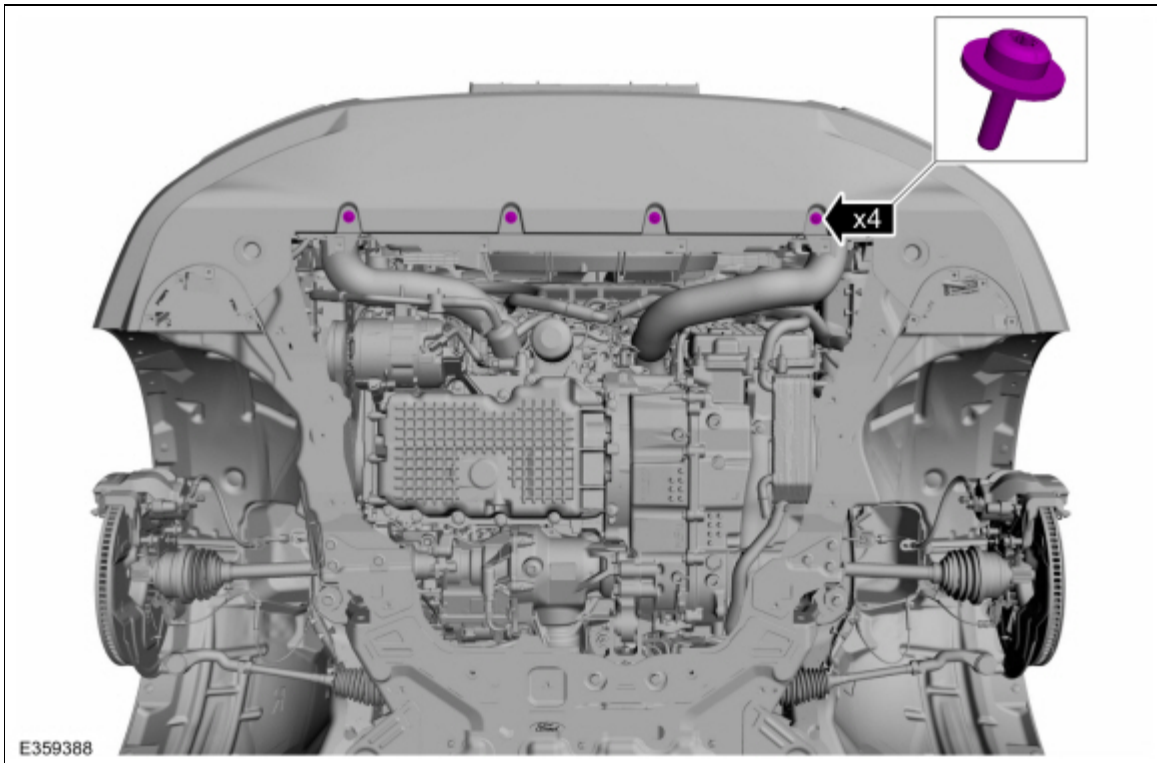


All vehicles

- 5. Remove the screws and position aside the engine undershield.
Torque: 17 lb.in (1.9 Nm)

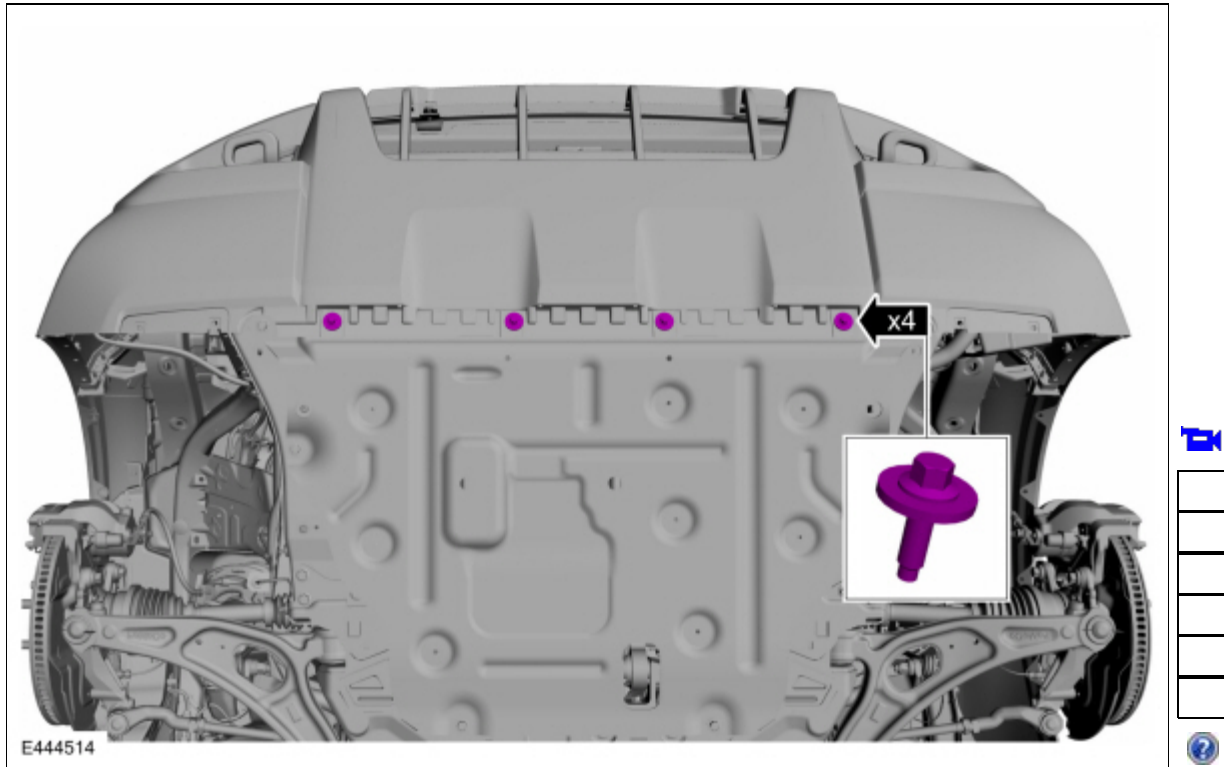


- 6. Remove the screws.
Torque: 22 lb.in (2.5 Nm)



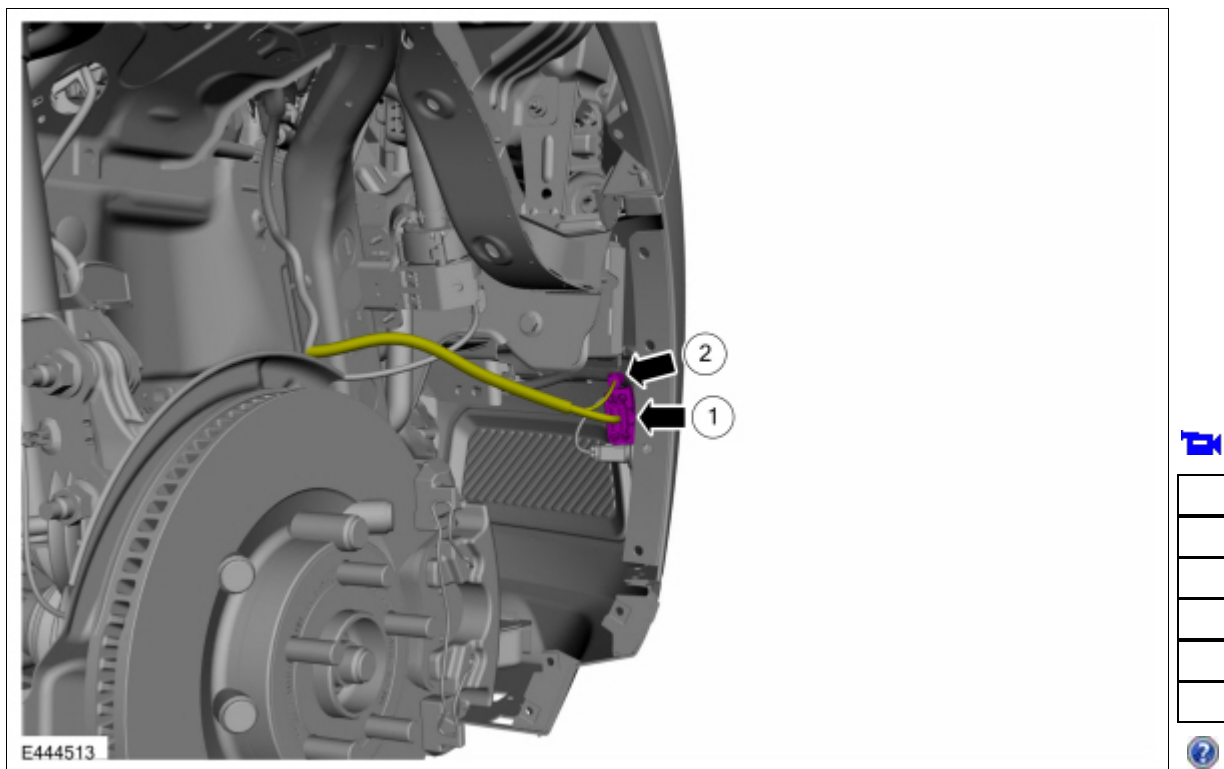
TREMOR VERSION

7. Remove the bolts.
Torque: 133 lb.in (15 Nm)

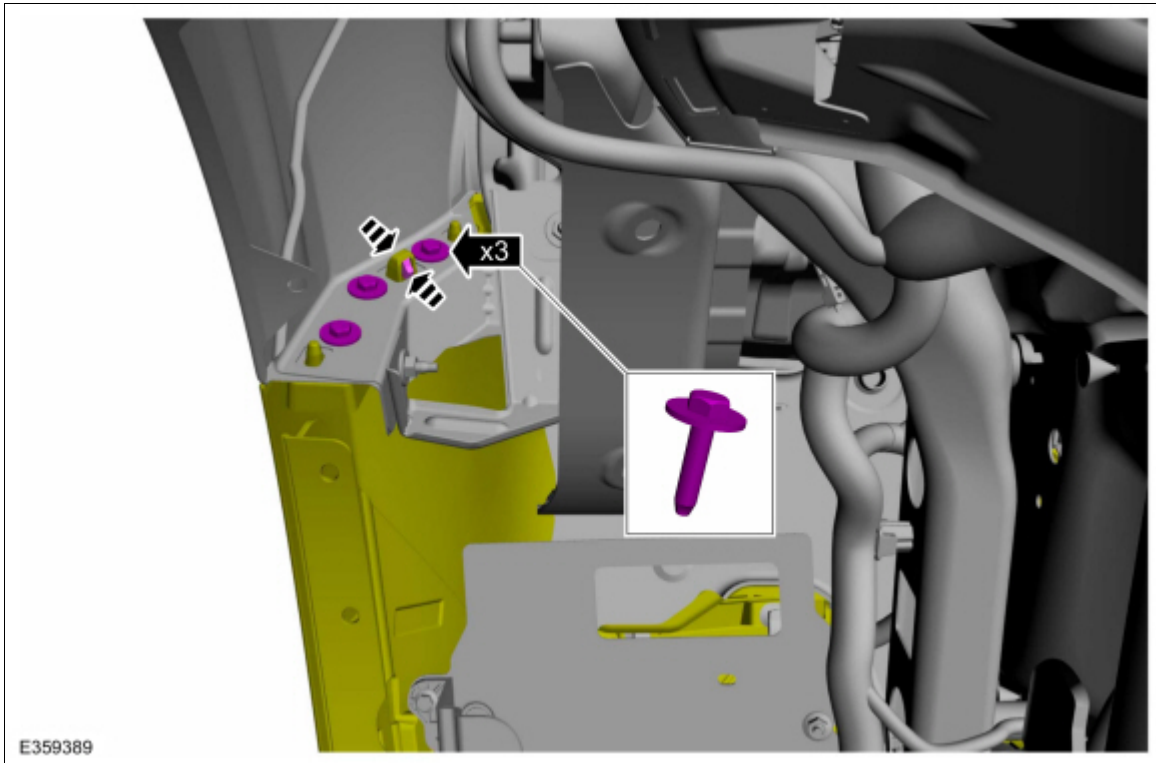


All vehicles

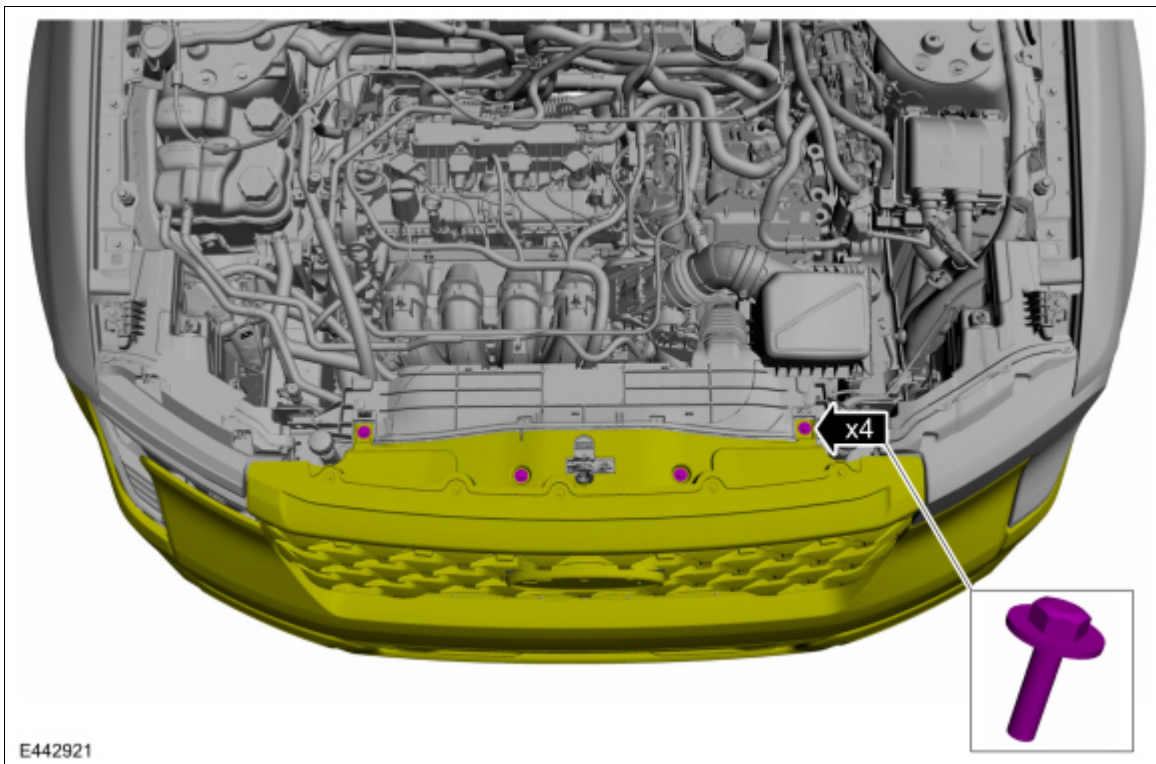
8. 1. Disconnect the front bumper cover harness electrical connector.
2. If equipped.
Disconnect the camera harness electrical connector.



- 9. On both sides.
Remove the front bumper cover to fender bracket bolts and release the tab.
Torque: 62 lb.in (7 Nm)

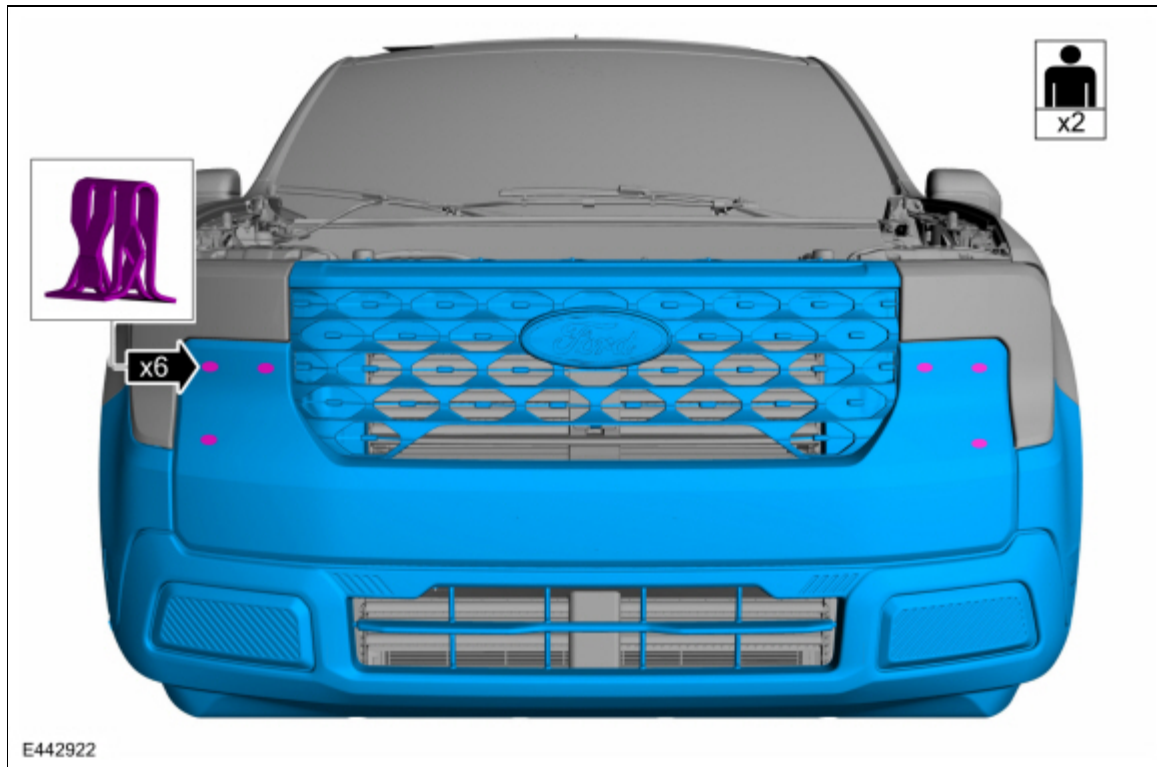


- 10. Remove the screws.
Torque: 36 lb.in (4.1 Nm)



11. **NOTE:** *This step requires the aid of another technician.*

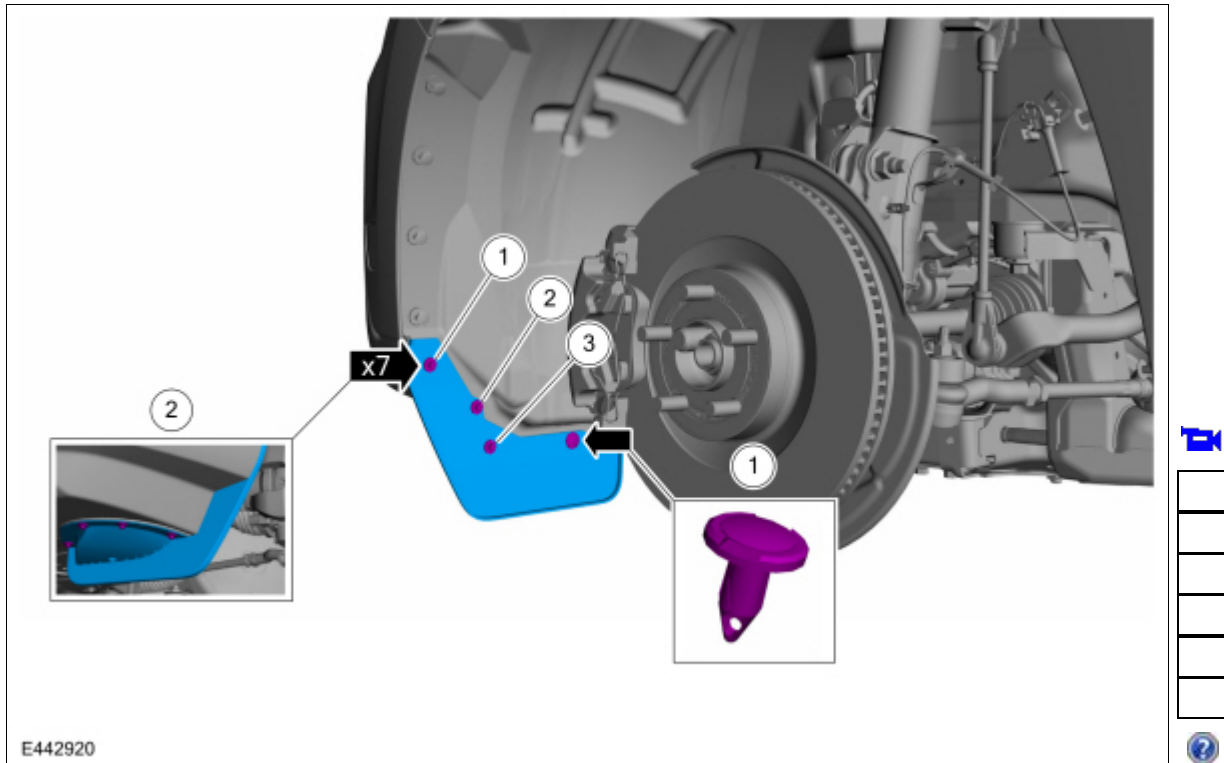
Release the clips and remove the front bumper cover.



Installation

All vehicles

1. To install, reverse the removal procedure.
2. If equipped, on both sides.
 1. Install the stone deflector and the push pin.
 2. Install the bolts in the sequence shown.
Torque: 17 lb.in (1.9 Nm)



E442920

Vehicles With: Front Fog Lamps

- If replacing the front bumper cover.
Adjust the fog lamp.
Refer to: [Front Fog Lamp Adjustment](#) (417-01 Exterior Lighting, General Procedures).

Vehicles With: 360 Degree Camera

- NOTE:** NOTE: Carry out the following step if installing a new front camera.

Initialize the camera.

Refer to: [Parking Aid Camera Initialization - Vehicles With: Digital Rear View Camera](#) (413-13B Parking Aid - Vehicles With: Parking Aid Camera, General Procedures).

- Carry out the 360° camera alignment.

Refer to: [360 Degree View Camera Alignment - Vehicles With: 360 Degree Camera](#) (413-13B Parking Aid - Vehicles With: Parking Aid Camera, General Procedures).

Vehicles With: Front Parking Aid

- If replacing the front bumper cover.
Check the alignment of the front parking aid sensors.
Refer to: [Azimuth System Check](#) (413-13A Parking Aid - Vehicles With: Front Parking Aid/Rear Parking Aid, General Procedures).
Refer to: [Elevation System Check](#) (413-13A Parking Aid - Vehicles With: Front Parking Aid/Rear Parking Aid, General Procedures).
- If any sensor fails the check, diagnose the sensor fault.
Refer to: [Parking Aid](#) (413-13B Parking Aid - Vehicles With: Parking Aid Camera, Diagnosis and Testing).

© Copyright 2026, Ford Motor Company.

