

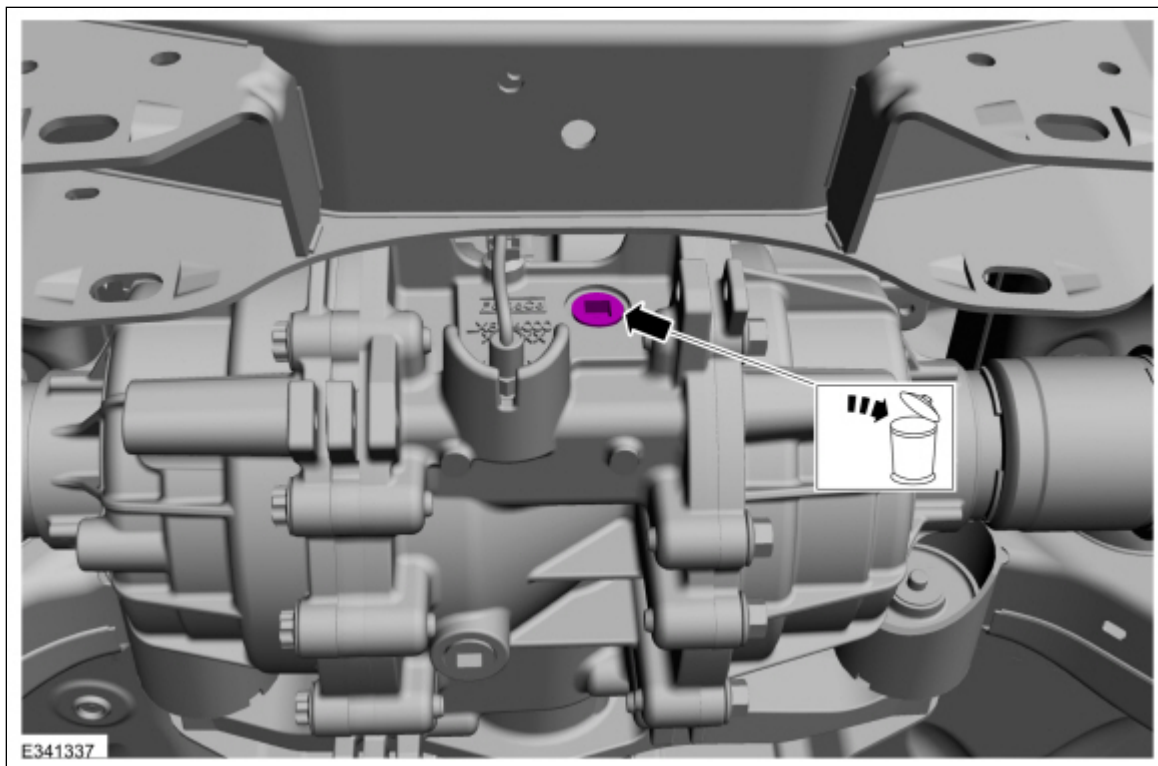
Differential Draining and Filling

Materials

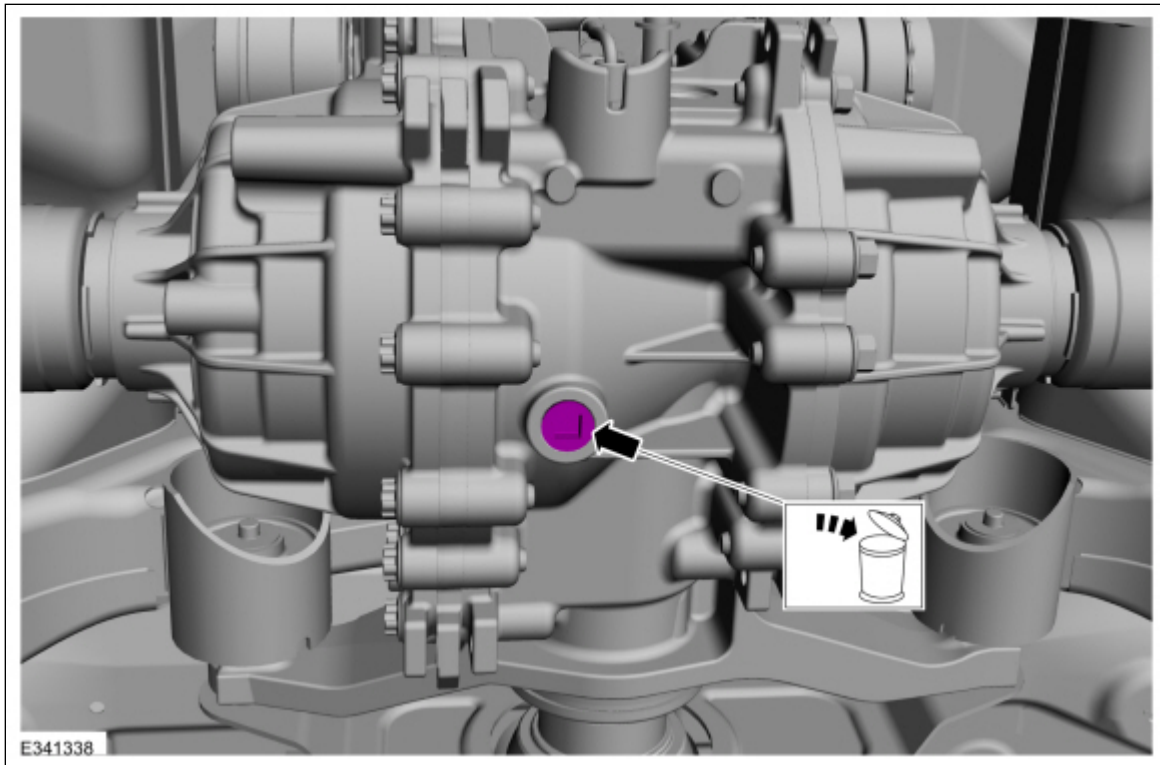
Name	Specification
Motorcraft® Disconnect Rear Drive Unit Fluid XY-75W-QL	-

Draining

1. With the vehicle in NEUTRAL, position it on a hoist.
Refer to: [Jacking and Lifting](#) (100-02 Jacking and Lifting, Description and Operation).
2. Remove and discard the RDU fluid fill plug.



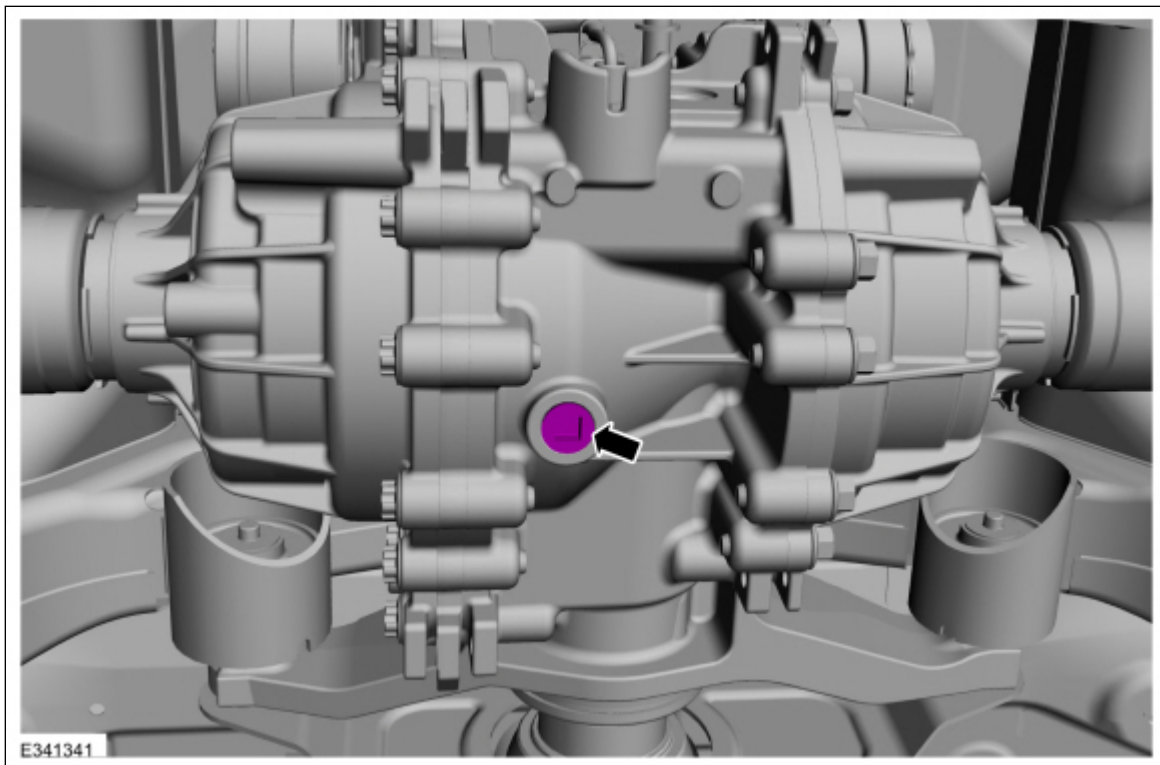
3. Remove and discard the RDU fluid drain plug and allow the RDU fluid to drain.



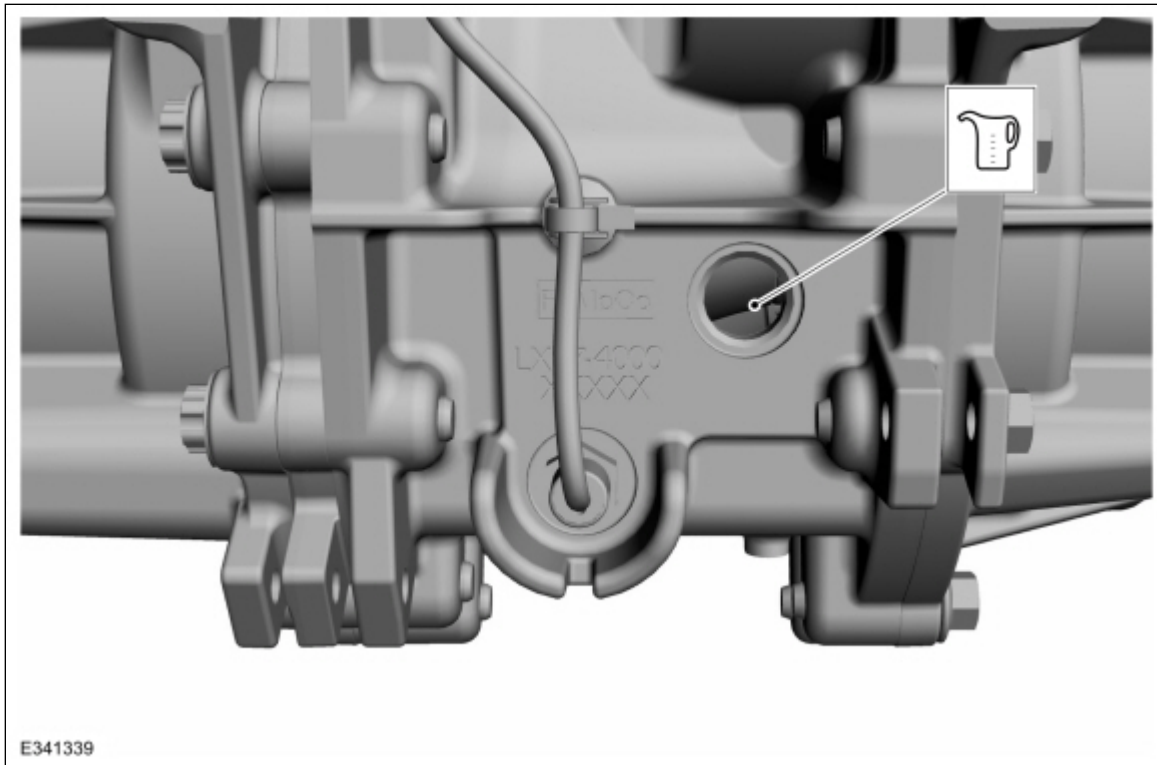
Filling

1. **NOTE:** Make sure that a new component is installed.

Install the RDU fluid drain plug.
Torque: 21 lb.ft (29 Nm)



2. Fill the RDU with clean RDU fluid.
Refer to: [Specifications](#) (205-02 Rear Drive Axle/Differential, Specifications).
Material: Motorcraft® Disconnect Rear Drive Unit Fluid / XY-75W-QL



3. **NOTE:** Make sure that a new component is installed.

Install the RDU fluid fill plug.
Torque: 21 lb.ft (29 Nm)

