

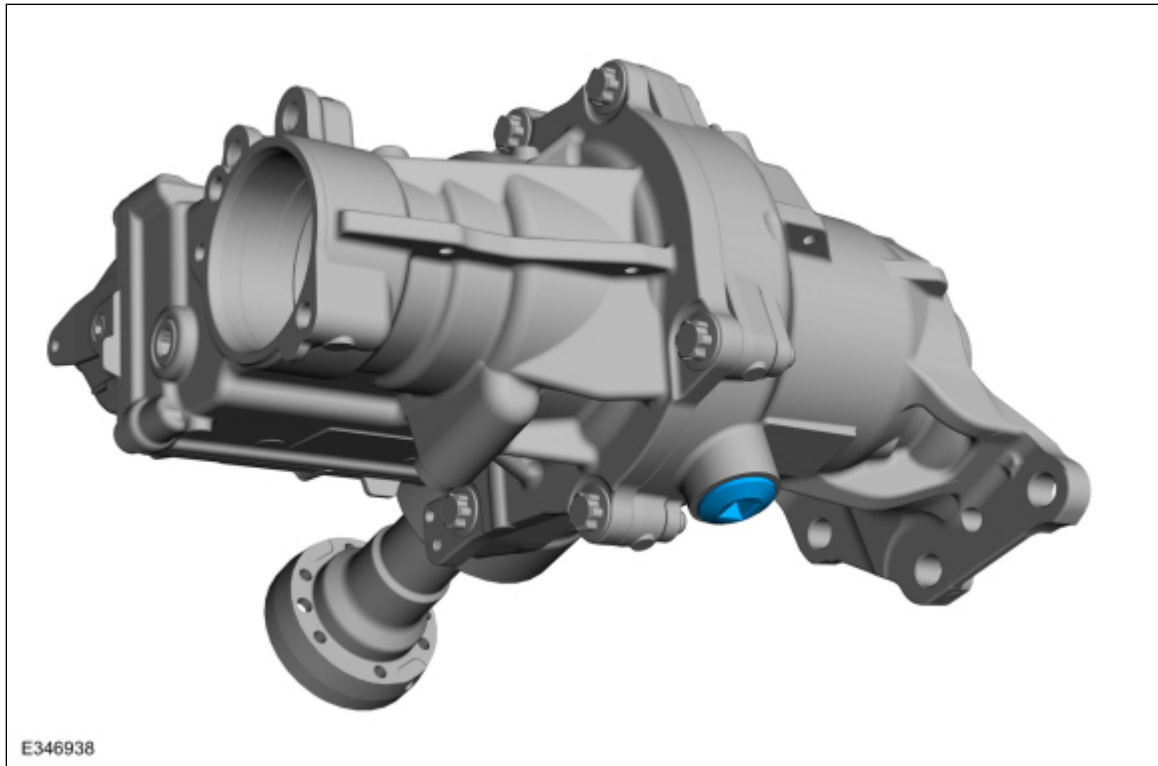
## Power Transfer Unit Draining and Filling

### Materials

Name	Specification
Motorcraft® SAE 75W-85 Premium Synthetic Hypoid Gear Lubricant XY-75W85-QL	WSS-M2C942-A

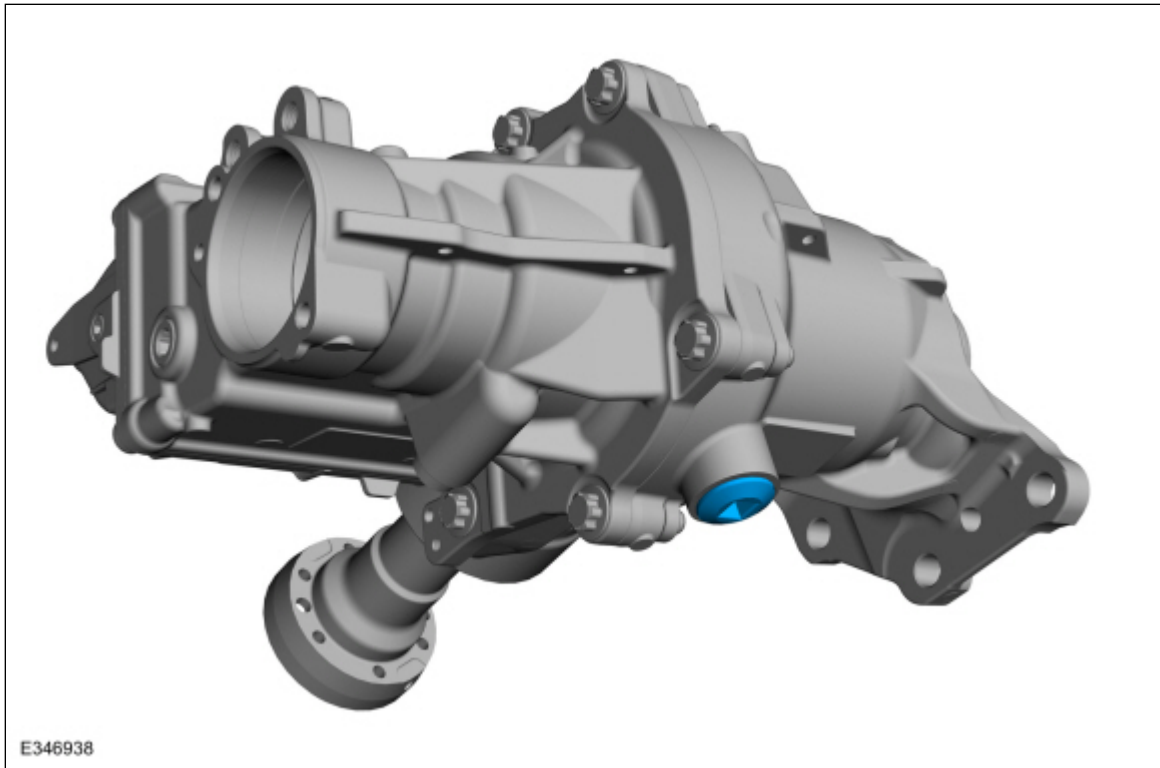
### Draining

1. With the vehicle in NEUTRAL, position it on a hoist.  
Refer to: [Jacking and Lifting](#) (100-02 Jacking and Lifting, Description and Operation).
2. Remove the underbody shield.  
Refer to: [Engine Front Undershield](#) (501-02 Front End Body Panels, Removal and Installation).
3. Remove the PTU drain plug.



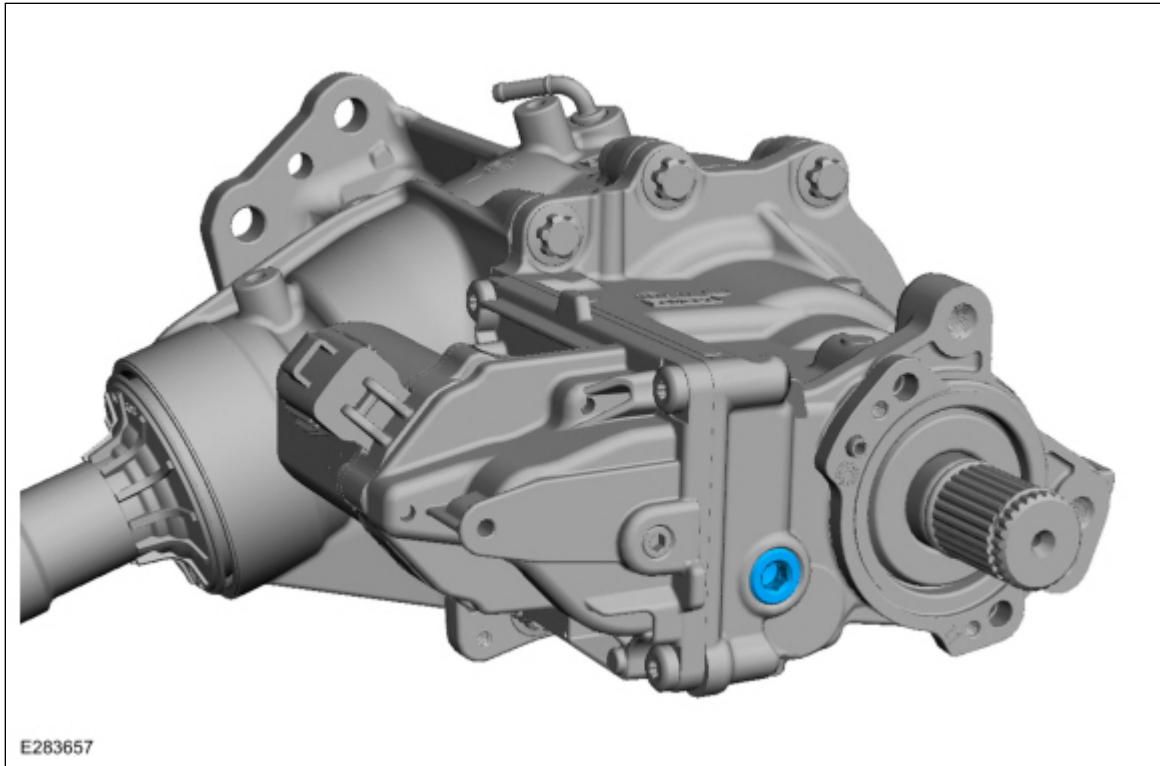
4. **NOTE:** Ensure drain plug gasket is properly seated and flush inside of drain plug groove. Drain Plug Gasket should not be visible after installation.

Install the oil drain plug with the new gasket.  
Torque: 30 lb.ft (40 Nm)

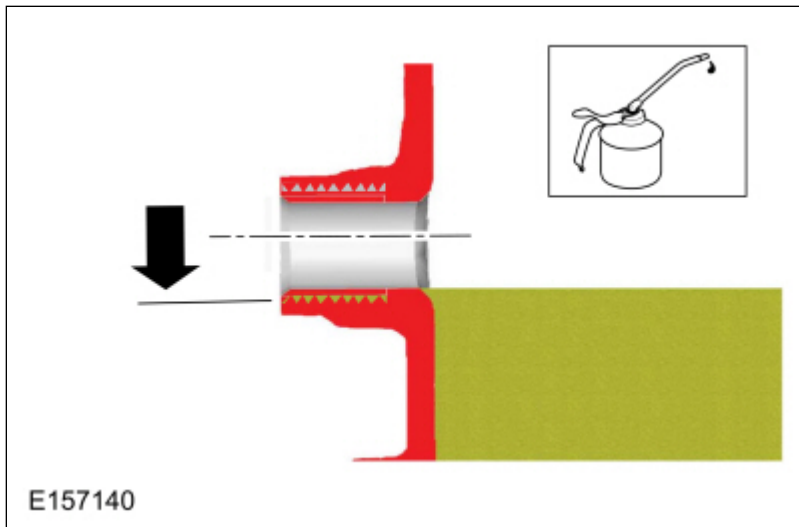


## Filling

1. Remove the PTU fill plug.



2. Fill the PTU with clean fluid, level with the fill plug opening.  
Refer to: [Specifications](#) (307-07B Power Transfer Unit, Specifications).  
*Material:* Motorcraft® SAE 75W-85 Premium Synthetic Hypoid Gear Lubricant / XY-75W85-QL (WSS-M2C942-A)

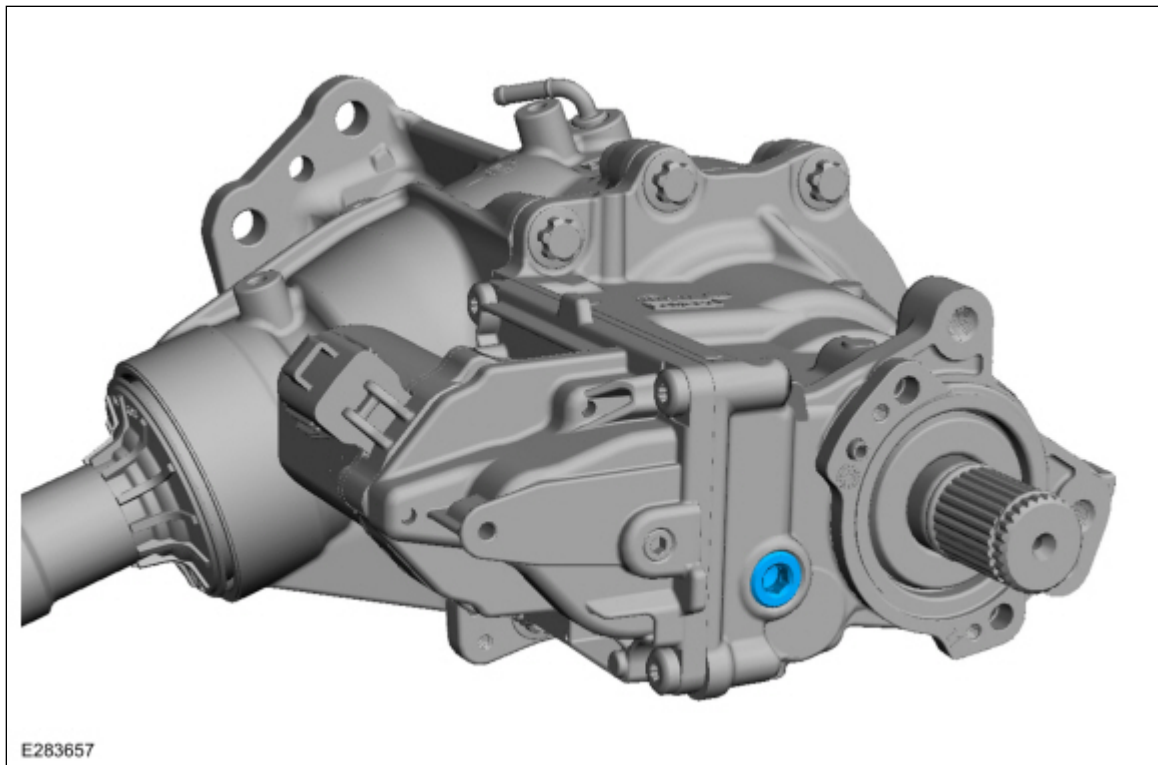


3. Install the PTU fill plug.

*Torque:*

Stage 1: 133 lb.in (15 Nm)

Stage 2: 360°



4. Install the underbody shield.

Refer to: [Engine Front Undershield](#) (501-02 Front End Body Panels, Removal and Installation).

© Copyright 2024, Ford Motor Company.

