



### STEP 1 – PRIOR TO INSTALLATION

- A) Bushwacker®** only approves installing the flares according to these written instructions with the hardware provided. **WARNING:** Failure to install according to these instructions will invalidate the warranty. This includes, but is not limited to using alternative installation methods, hardware, or materials. **DO NOT USE:** Loctite, SuperGlue, or similar products on the hardware or the flares.
- B) Fit:** Verify the fit of the flares to vehicle. (Some filing, sanding, or cutting may be necessary to ensure proper fit).
- C) Painting:** (Optional) if paint is desired it must be done prior to installing flares on vehicle. Clean outer surface with a good grade degreaser. **DO NOT USE LACQUER THINNER OR ENAMEL REDUCER AS A DEGREASER.** Wipe outer surface thoroughly with a tack rag prior to paint. Application of plastic adhesion promoter for ABS plastic as per your paint system manufacturer’s recommendations is required. Paint flares using a high quality enamel, or polyurethane automotive paint. If painting edge trim (not recommended), use a flex additive.
- D) Performance:** Using larger Tires may increase the area required to turn the vehicle. Some Tire/Rim combinations may require lowering bump stops and or installing steering stops to prevent tire from contacting flare.
- E) Exhaust System:** Modifications may be necessary to maintain a minimum 4” clearance between flares and exhaust pipes. (Exhaust gases should not vent directly onto flares)
- F) Metal Protection:** All exposed fasteners and bare metal should be treated with rust resistant paint **BEFORE** installing flares. Spray inner fender wells with undercoating **AFTER** flare attachments have been completed.
- G) Decals:** Flares may interfere with existing decals on vehicle. If you wish, remove decals prior to installation of flares.
- H) Care & Cleaning:** Bushwacker fender flares are built to last; any detergent you use to wash your vehicle is sufficient to clean the flare. Do not use any harsh abrasive detergents.

## Ford Fender Flares Rear Pair

**Set Part #20142-02**

**Rev-0 06/04/2021**

**For complete fitment info visit : [www.bushwacker.com](http://www.bushwacker.com)**

### TOOLS FOR EASY INSTALLATION:

- Utility Knife
- #2 Phillips Screwdriver
- Fastener Removal Tool
- Grease Pencil
- Socket Set

**PLEASE READ:** Dirt and debris can become lodged between the fender flares and the vehicle’s fenders, causing scratching and paint wear from vibration. Lund International is not responsible for any damage, and the installation of our fender flares is done with the buyer’s understanding that this scratching and paint wear may occur.

### 3 YEAR LIMITED WARRANTY AGAINST ANY MANUFACTURING DEFECTS








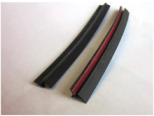
- To claim a warranty, you must provide Proof of Purchase.



The material that your product is made from can be recycled. Please also consider recycling the packaging that your product came in.



## Included in Hardware Kit:

- |    |   |    |   |    |   |    |   |    |  |    |   |    |   |
|----|---|----|---|----|---|----|---|----|--|----|---|----|---|
| 1. |  | 2. |  | 3. |  | 4. |  | 5. |  | 6. |  | 7. |  |
|    | SW1-0067,<br>5/16 x 18 x 3/8”<br>SS Torx Screw,<br>(Pocket Style Only)<br>12 pcs    |    | WA1-0012,<br>.320 x .700 x .03<br>SS Washer,<br>(Pocket Style Only)<br>12 pcs       |    | NU1-0019,<br>5/16-18 Jam Fin.<br>Nylock Nut,<br>(Pocket Style Only)<br>12 pcs       |    | SW1-0052,<br>T-45 Torx Bit,<br>(Pocket Style Only)<br>1 pc                          |    | RV1-P006,<br>8 x 20mm Black<br>Nylon Retainer,<br>2 pc                               |    | RV1-P008,<br>1/4” Panel<br>Retainer,<br>2 pc  |    | ET1-0002,<br>Edge Trim Tool,<br>1 pc  |
| 8. |   |    |   |    |   |    |   |    |  |    |   |    |   |
|    | GP1-0025<br>Edge Trim<br>180 in.  |    |   |    |   |    |   |    |  |    |   |    |   |

# Component List:



*If your flares already have the edge trim and pocket hardware installed, skip to Front Flare Installation Step 4.*

## STEP 2 - EDGE TRIM INSTALLATION

A. Peel two to three inches of red vinyl backing away from Edge Trim (GP1-0025) tape. Applying the adhesive side of the edge trim to the inner side of the flare, affix the edge trim to the top edge of the flare (the portion that comes in contact with the vehicle).

B. Press edge trim into place along the top edge of the flare in one-foot increments, pulling red vinyl backing free as you continue to work your way around the top edge of the flare.



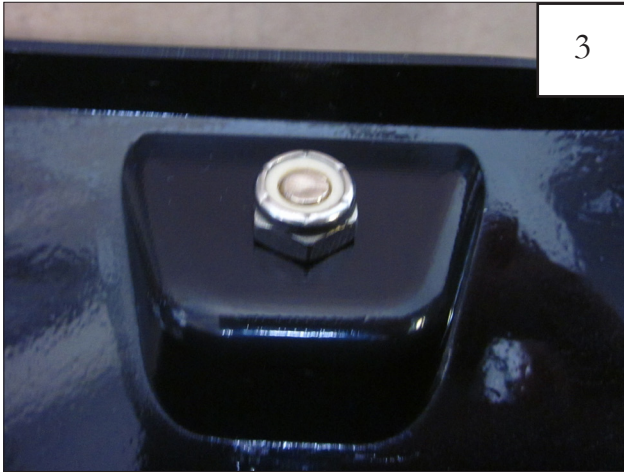
## Pocket Hardware Installation (Pocket Style Only):



Put a Washer (WA1-0012) on each Bolt (SW1-0067).



Put each Bolt/Washer combination through a pocket hole in the flare, Bolt head and Washer on the outside.

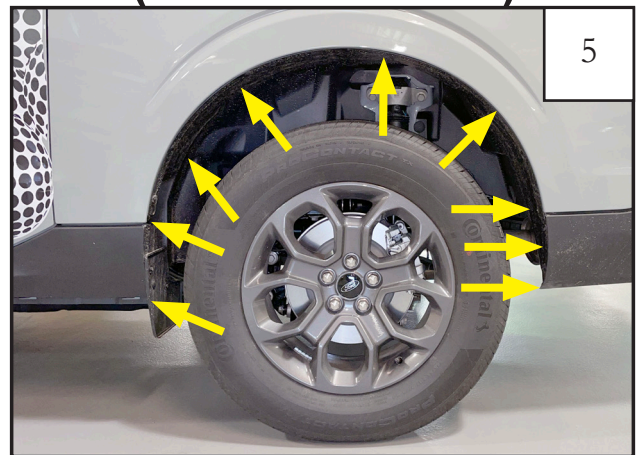


Place a Nut (NU1-0019) over the end of each Bolt and tighten, using a 1/2" wrench for the Nut and the supplied Torx Bit (SW1-0052) for the Bolt. Repeat for remaining pockets.

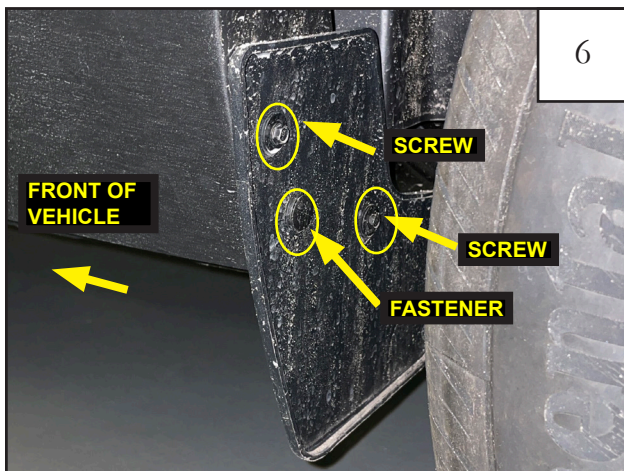
## Rear Flare Installation Procedures (Drivers's Side):



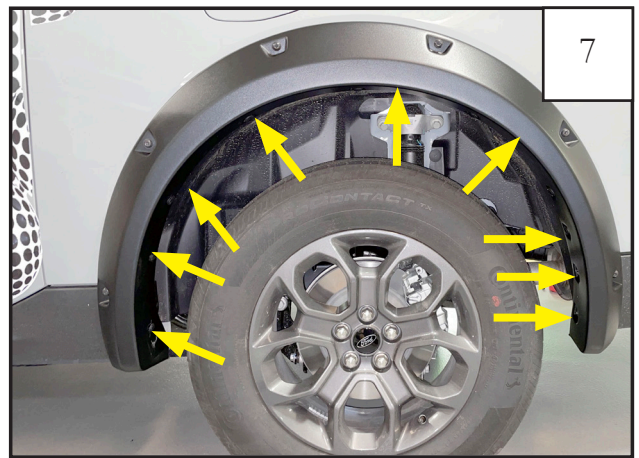
Hold rear flare up to vehicle wheel opening. Use a grease pencil to mark (9) locations where factory fasteners will need to be removed from the wheel opening.



Set fender flare aside. Remove (9) factory fasteners from marked locations. Retain fasteners for reinstallation.

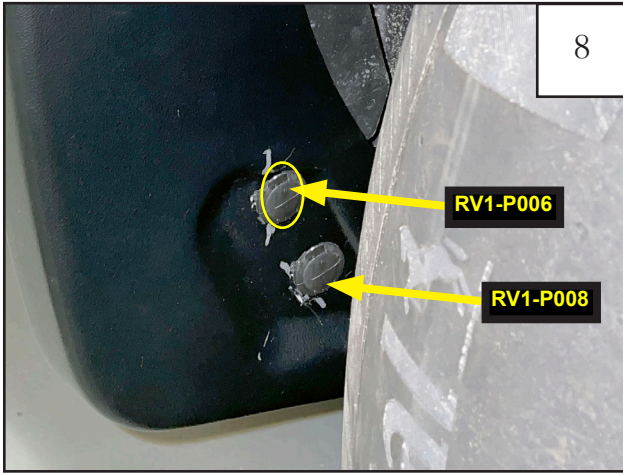


Remove (2) screws and (1) fastener from mud flap in front of rear tire. Screws, fasteners, and mudflap may be discarded.



Position fender flare back in place on wheel opening and align with holes. Reinstall (9) previously removed factory fasteners and screws.

## Rear Flare Installation Procedures (Driver's Side):



Install (1) RV1-P006 fastener and (1) RV1-P008 fastener in the remaining (2) holes where the mudflap was originally installed. (See Frame 6)



Completed rear fender flare installation.



Using supplied Edge Trim Tool (ET1-0002), seat edge trim against vehicle by hooking curved end under edge trim at one end of flare. Next, slide around outer edge of flare to the other end.



Using flat end of supplied Edge Trim Tool (ET1-0002), seat edge trim against flare by inserting straight end between edge trim and flare at one end. Next, slide around entire edge to the other end.